

**NOTES:**

- Please allow at least 3' of slack at the pick for adjustments to all microphones
- Please allow at least 15' of slack for all deck mounted speakers
- The elevation of all rear speakers should center to the house JFX88s

Sound Design by  
 Vincent Olivieri  
 vrojr.design@gmail.com



4577

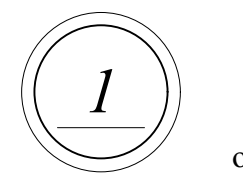
**DIRECTOR:**  
 Giovanna Sardelli

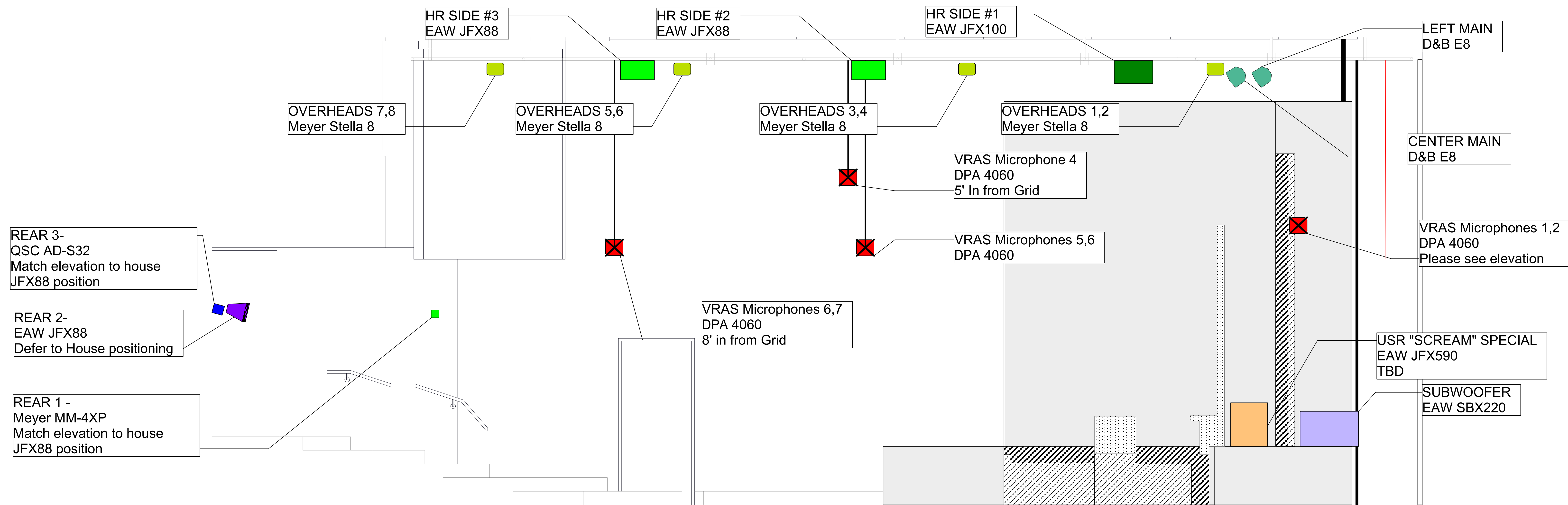
**SET DESIGNER:**  
 Tom Buderwitz

**COSTUME DESIGNER:**  
 Denitsa Bliznakova

**LIGHTING DESIGNER:**  
 Lap Chi Chu

**Asst. SOUND DESIGNER:**  
 Ben Scheff

GEFFEN PLAYHOUSE	
<b>GUARDS AT THE TAJ</b>	
Ground Plan	Plate #:  of 5
DATE: 09/13/2015	SCALE: 3/8" = 1'0"



**NOTES:**

- Please allow at least 3' of slack at the pick for adjustments to all microphones
- Please allow at least 15' of slack for all deck mounted speakers
- The elevation of all rear speakers should center to the house JFX88s

Sound Design by  
**Vincent Olivieri**  
 vrojr.design@gmail.com



4577

**DIRECTOR:**  
 Giovanna Sardelli

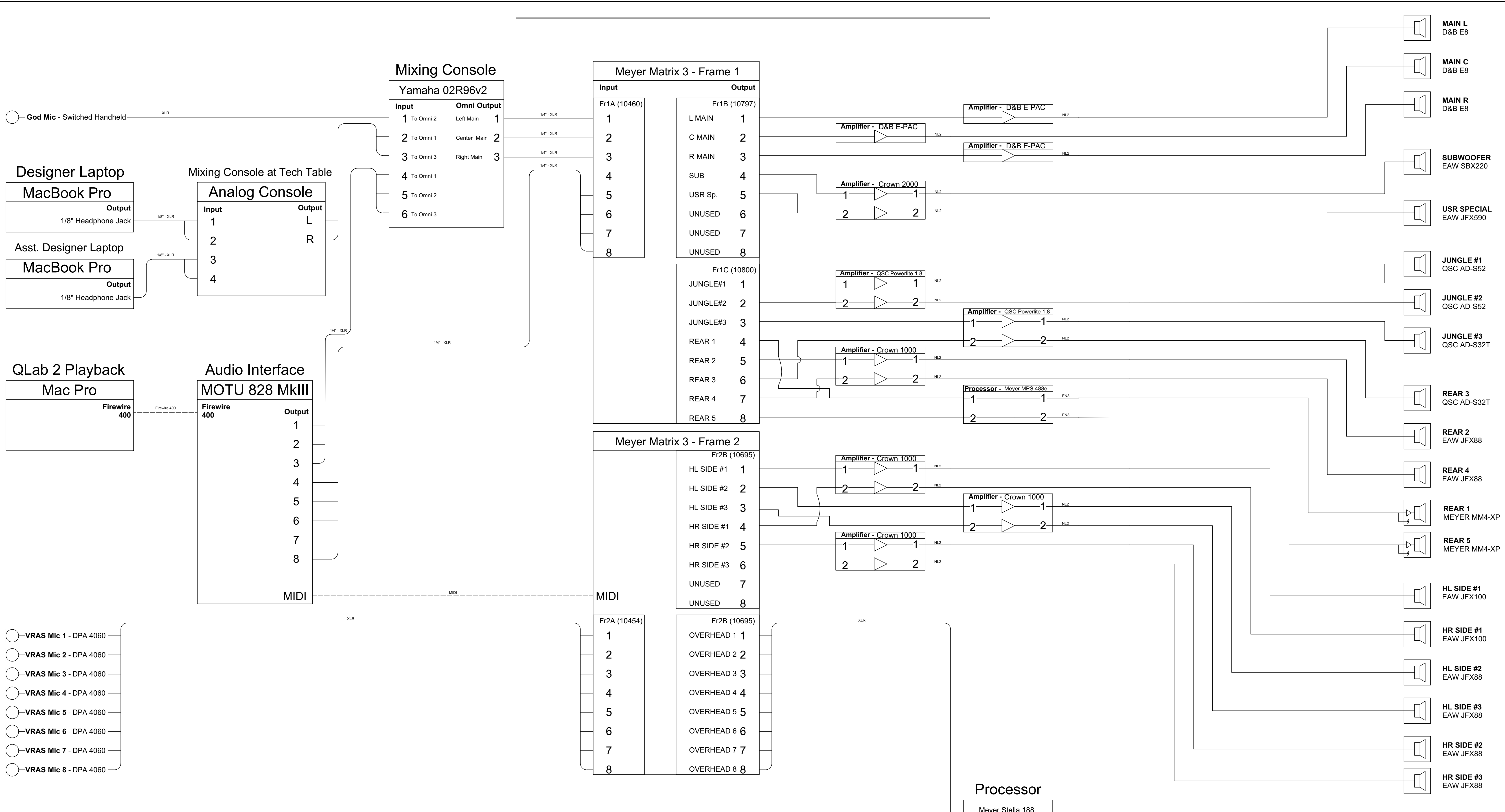
**SET DESIGNER:**  
 Tom Buderwitz

**COSTUME DESIGNER:**  
 Denitsa Bliznakova

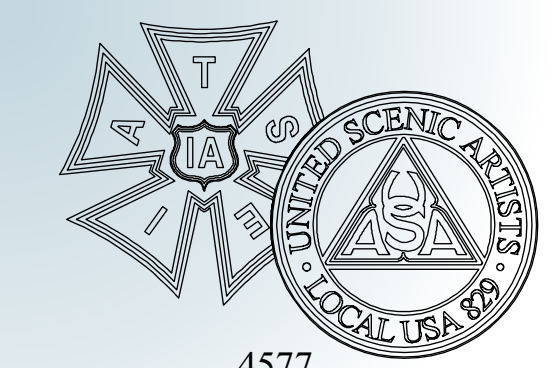
**LIGHTING DESIGNER:**  
 Lap Chi Chu

**Asst. SOUND DESIGNER:**  
 Ben Scheff

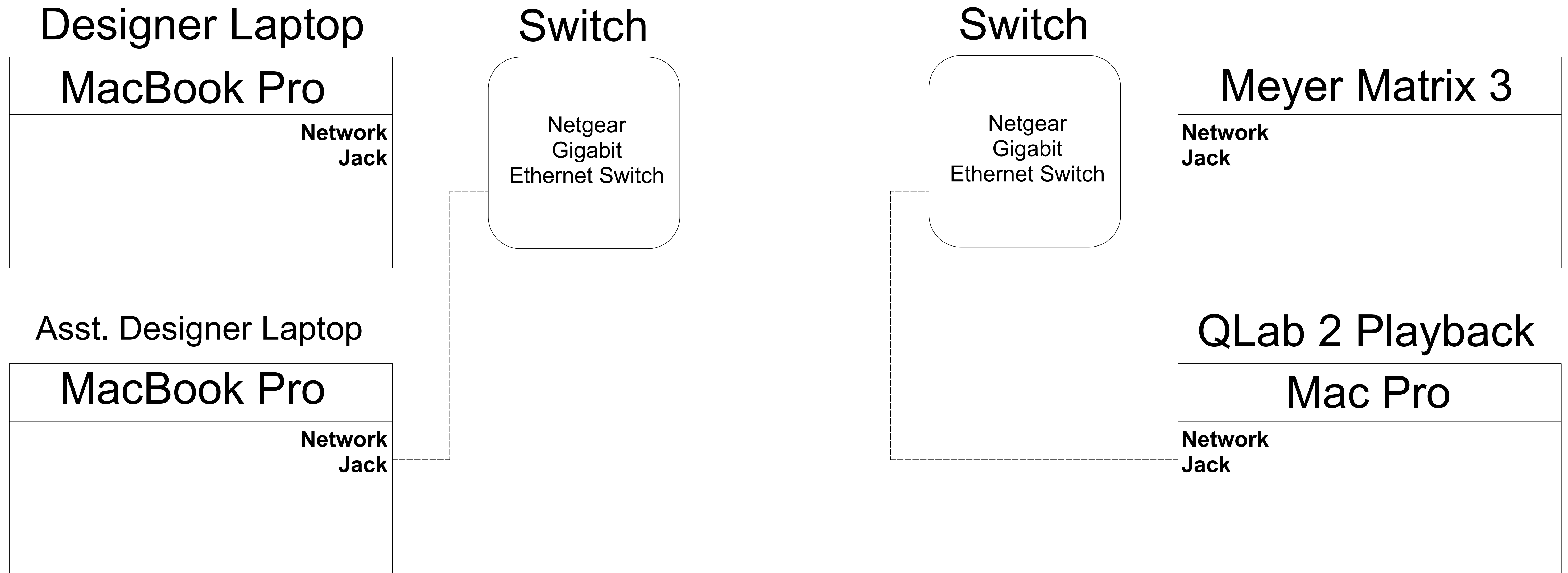
GEFFEN PLAYHOUSE	
<b>GUARDS AT THE TAJ</b>	
Section	Plate #: <div style="border: 1px solid black; border-radius: 50%; width: 30px; height: 30px; display: flex; align-items: center; justify-content: center; margin: 0 auto;"> <span style="font-size: 24px; font-weight: bold;">2</span> </div> of 5
DATE: <b>09/13/2015</b>	SCALE: <b>1/2" = 1'0"</b>



Sound Design by <b>Vincent Olivieri</b> vrojr.design@gmail.com	<b>DIRECTOR:</b> Giovanna Sardelli	<b>GEFFEN PLAYHOUSE</b>	
	<b>SET DESIGNER:</b> Tom Buderwitz	<b>GUARDS AT THE TAJ</b>	
<b>COSTUME DESIGNER:</b> Denitsa Bliznakova	<b>LIGHTING DESIGNER:</b> Lap Chi Chu	Sound Delivery System	Plate #: <span style="border: 1px solid black; border-radius: 50%; padding: 5px; display: inline-block; text-align: center;">3</span> of <u>5</u>
<b>Asst. SOUND DESIGNER:</b> Ben Scheff	DATE: <b>09/13/2015</b>	SCALE: <b>X/8" 1'0"</b>	



# NETWORKING



Sound Design by  
Vincent Olivieri  
vrojr.design@gmail.com



4577

**DIRECTOR:**  
Giovanna Sardelli  
**SET DESIGNER:**  
Tom Buderwitz  
**COSTUME DESIGNER:**  
Denitsa Blizakova  
**LIGHTING DESIGNER:**  
Lap Chi Chu  
**Asst. SOUND DESIGNER:**  
Ben Scheff

GEFFEN PLAYHOUSE

## GUARDS AT THE TAJ

Networking

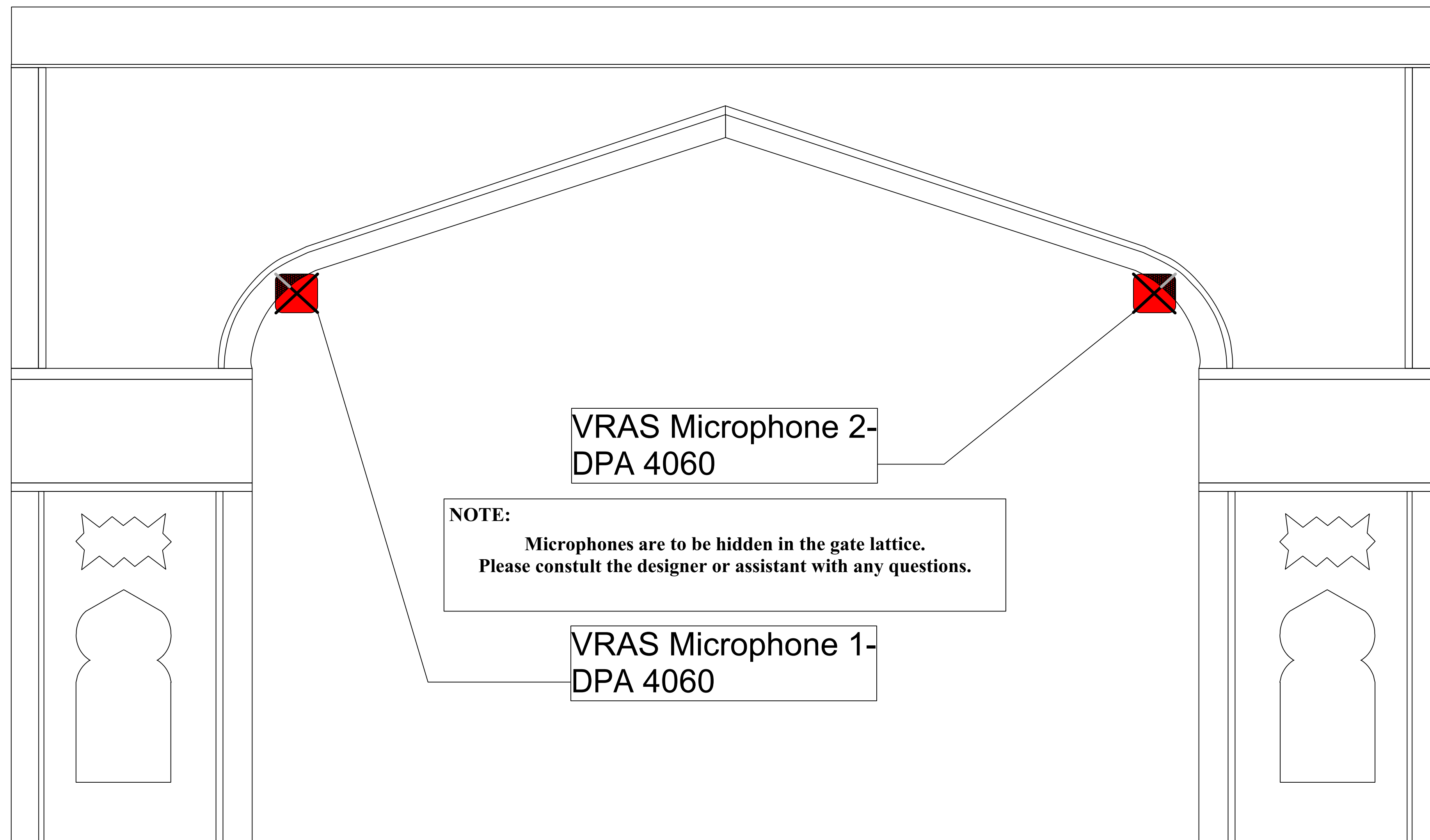
Plate #:

4

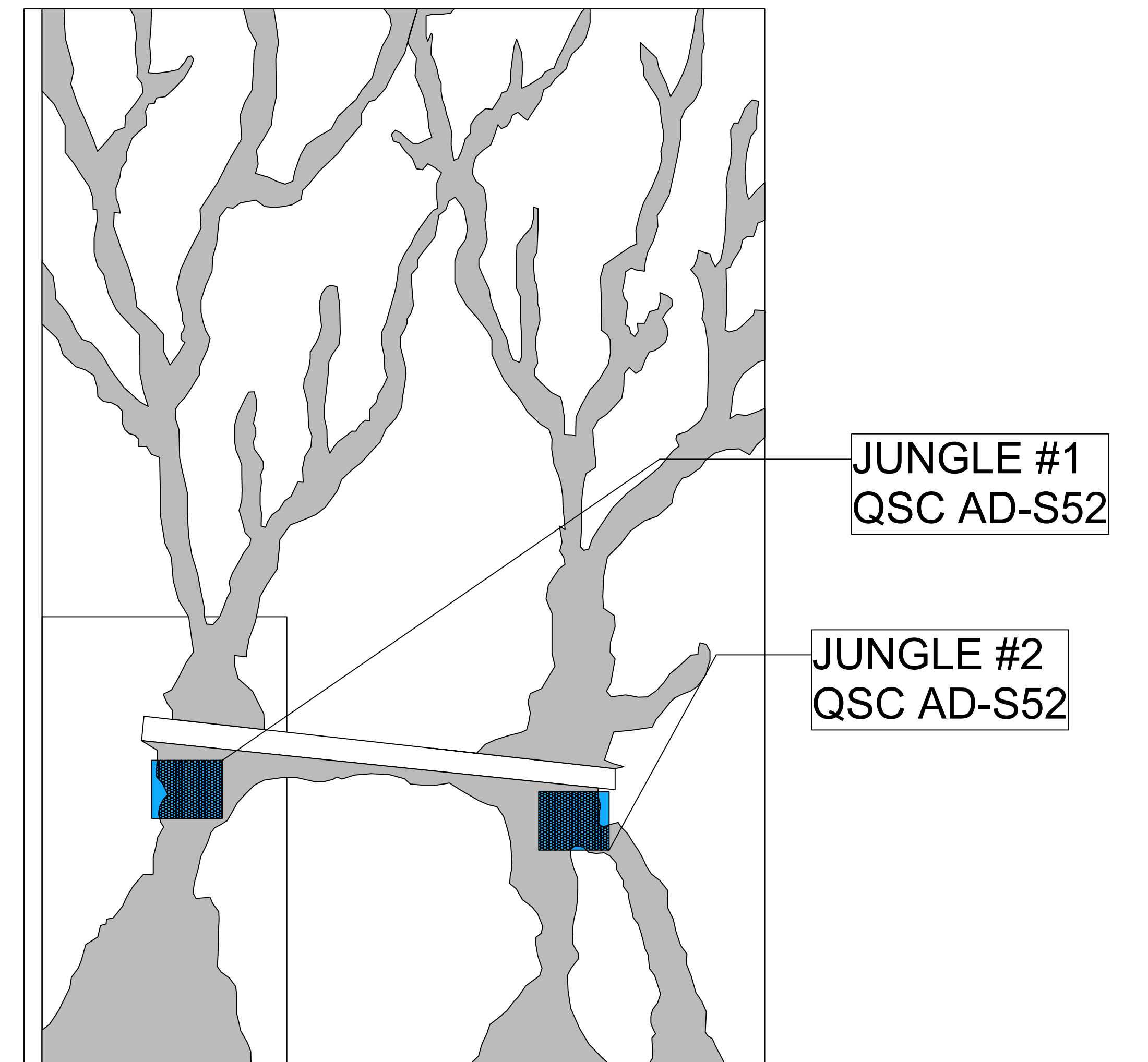
of 5

DATE: 09/13/2015


SCALE: X/X= 1'0"



**Wall Elevation B - Gate**



**Wall Elevation C - Forest**

Sound Design by <b>Vincent Olivieri</b> vrojr.design@gmail.com  4577	<b>DIRECTOR:</b> Giovanna Sardelli	GEFFEN PLAYHOUSE	
	<b>SET DESIGNER:</b> Tom Buderwitz	<b>GUARDS AT THE TAJ</b>	
	<b>COSTUME DESIGNER:</b> Denitsa Blizakova	Elevations	Plate #: <div style="border: 1px solid black; border-radius: 50%; width: 30px; height: 30px; display: flex; align-items: center; justify-content: center;"> <span style="font-size: 24px;">5</span> </div> of 5
	<b>LIGHTING DESIGNER:</b> Lap Chi Chu <b>Asst. SOUND DESIGNER:</b> Ben Scheff	DATE: <b>09/13/2015</b>	SCALE: <b>3/4" = 1'0"</b>